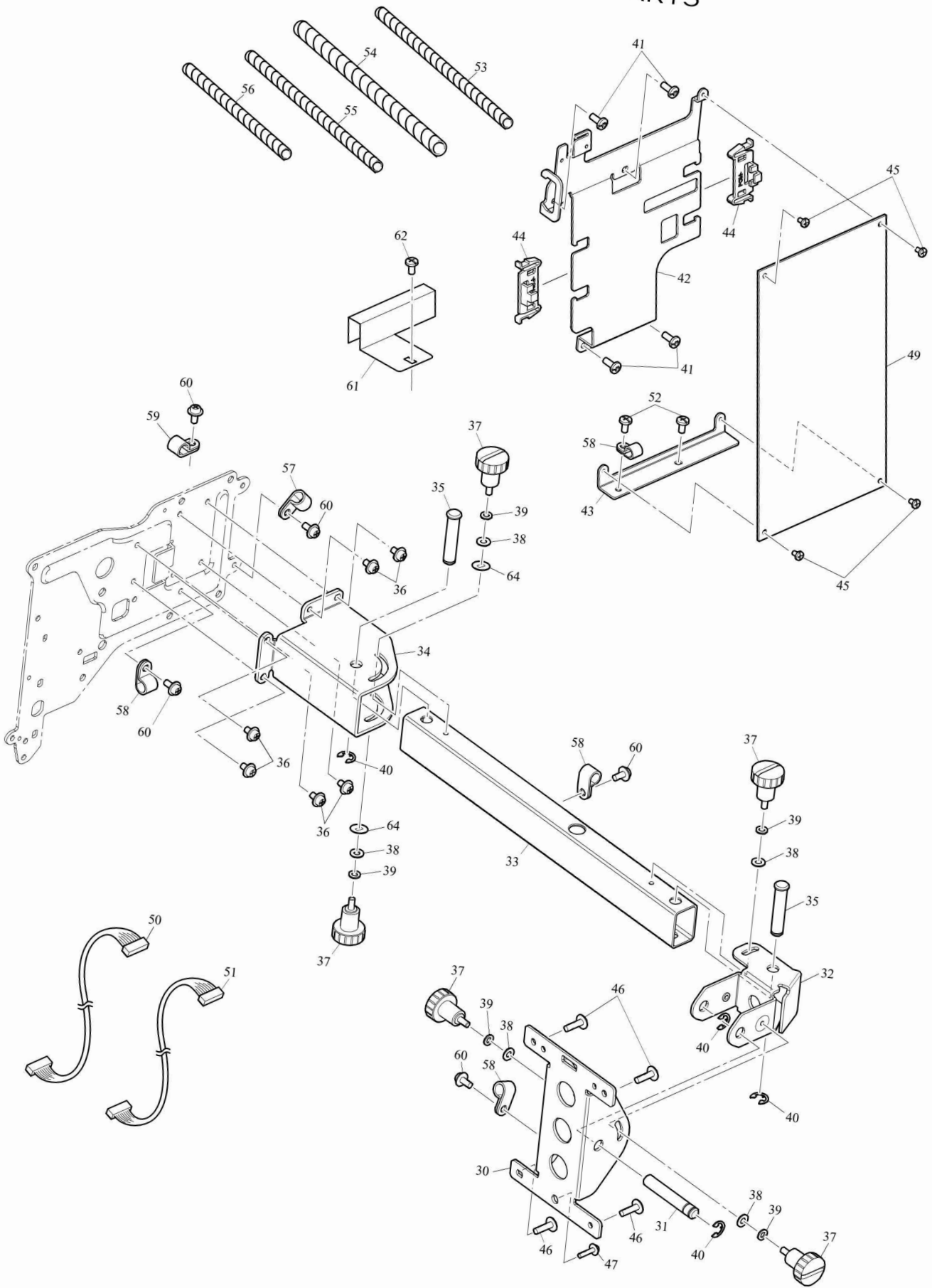


(6)-2_ELECTRIC PARTS



(6)-2_ELECTRIC PARTS

No.	CODE	NAME	MODEL	SPEC	REMARKS	R/H
30	XE6259001	PANEL HOLDER				
31	XC5747051	OPERATION PANEL HOLDER SHAFT				
32	XD0664051	OPERATION PANEL LEVER A				
33	XE7022101	OPERATION PANEL LEVER B				
34	XD0666251	OPERATION PANEL LEVER C				
35	XC5751051	OPERATION PANEL LEVER SHAFT				
36	0A5400806	SCREW, PAN (S/P WASHER) M4X8				
37	XC5553051	THUMB BOLT M4 L				
38	026040236	WASHER, PLAIN M 4				
39	028040246	WASHER, SPRING 2-4				
40	048060343	RETAINING RING, E6				
41	X57908052	TAPTITE, BIND S M4X10				
42	XG6785201	BOARD HOLDER U ASSY				
43	XE8103001	BOARD HOLDER D				
44	XE8104001	PCB SUPPORTER				
45	XC7564051	SCREW, PAN (S/P WASHER) M3X6				
46	087411416	TAPTITE, CUP B M4X14				
47	0A5301206	SCREW PAN (S/P WASHER) M3X12				
49	D0233F001	MAIN PCB SUPPLY ASSY				R/H
50	XG7324001	LEAD WIRE ASSY HEAD-MAIN 1				
51	XG5214001	LEAD WIRE ASSY HEAD-MAIN 2				
52	060400816	SCREW BIND M4X8				
53	XC5069051	SPIRAL TUBE A				
54	XC5073051	SPIRAL TUBE B				
55	XC5078051	SPIRAL TUBE C				
56	XC6407051	SPIRAL TUBE D				
57	XZ0201051	CORD CLAMP: WL-5/8		for 53		
58	XC5243052	CORD CLAMP: NK-5N		for 54,55,56		
59	XG7843001	CORD CLAMP:GCL-3/16S				
60	XH4900101	SCREW, PAN (S/P WASHER) M4X10				
61	XC5157051	PROTECT SHEET				
62	060400516	SCREW, BIND M4X5				
64	D01W1B001	THUMB BOLT SHEET				