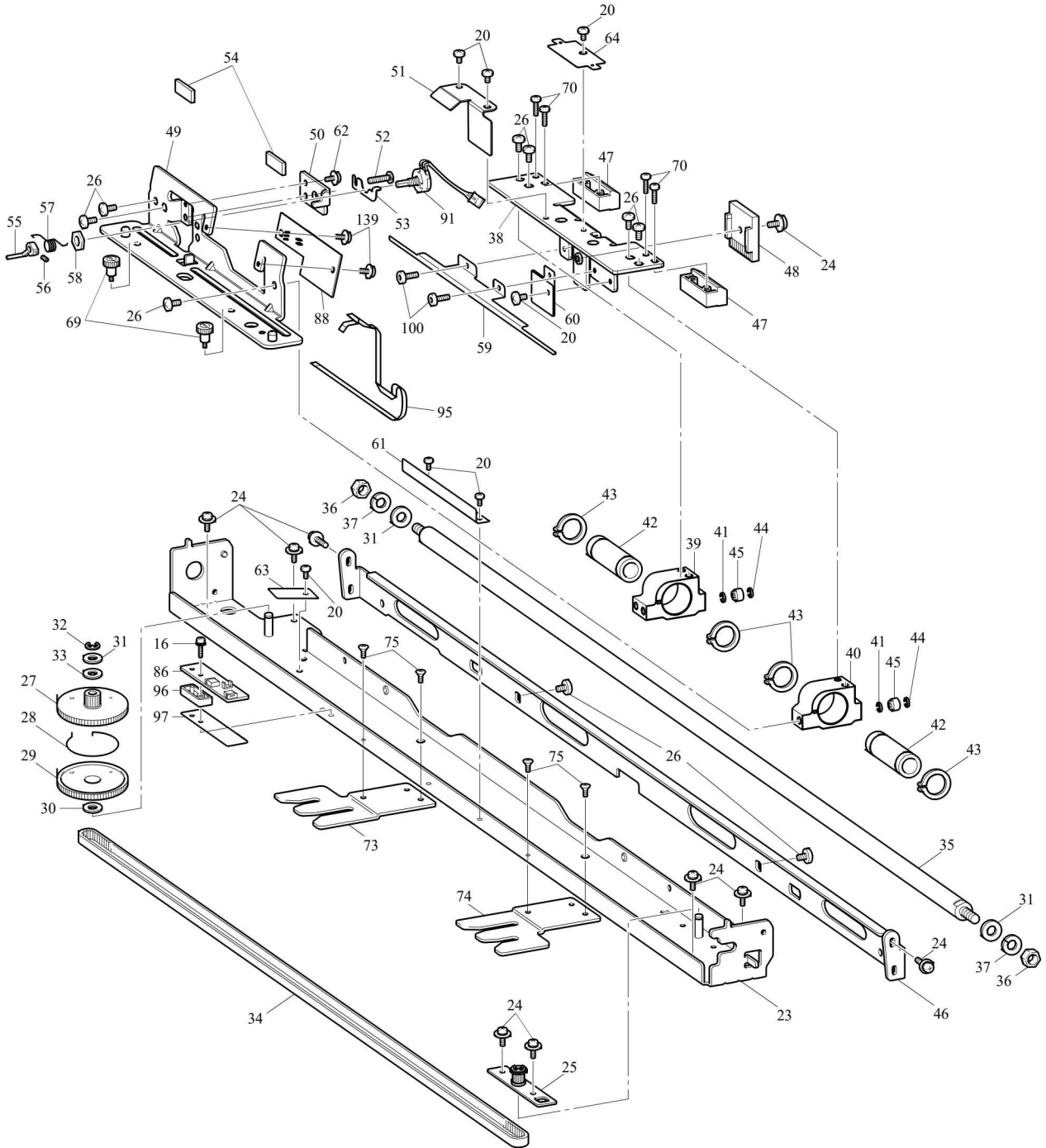


(8)-1_XYCARRIAGE MECHANISM



(8)-1_XYCARRIAGE MECHANISM

No.	CODE	NAME	MODEL	SPEC	REMARKS	R/H
16	0A4301006	SCREW, PAN (S/P WASHER) M3X10				
20	060300416	SCREW, BIND M3X4				
23	XC5785051	FEED FRAME ASSY				
24	0A5400806	SCREW, PAN (S/P WASHER) M4X8				
25	XA9657051	TENSION PULLEY ASSY				
26	060400616	SCREW, BIND M4X6				
27	XC3227001	Y DRIVING GEAR PULLEY A				
28	XC3194051	SPRING FOR GEAR				
29	XC3192001	Y DRIVING GEAR PULLEY B				
30	X50546050	WASHER, THRUST				
31	XE0863051	WASHER, M6				
32	048040343	RETAINING RING, E4				
33	X53838051	WASHER				
34	XC5788051	T BELT B60S796				
35	XC5789051	X GUIDE SHAFT				
36	021060206	NUT, 2 M6				
37	028060246	WASHER, SPRING 2-6				
38	XF2146001	X CARRIAGE BX				
39	XC5792051	BEARING CASE X ASSY				
40	XF2061001	BEARING CASE XB ASSY				
41	048040343	RETAINING RING, E4				
42	XC6222001	BEARING 12 LINER				
43	048210142	RETAINING RING, EXTERNAL C21				
44	048040343	RETAINING RING, E4				
45	XC5796051	X ROLLER				
46	XC6221051	X FEED FRAME B				
47	XC6218051	Y FRAME SPACER				
48	XC5798051	X BELT PRESSER				
49	XF2147001	X CARRIAGE AX SUB ASSY				
50	XF2148001	X CARRIAGE CX				
51	XF2163001	X CARRIAGE DX				
52	060301216	SCREW BIND M3X12				
53	XE7362001	PT METER PLATE B				
54	XE8211001	X CARRIAGE SLIDING SHEET				
55	XC5801051	HOOP LEVER				
56	012300632	SET SCREW, SOCKET (FT) M3X6				
57	XC5802051	SPRING				
58	X52569001	NUT				
59	XC5803051	X SENSOR DOG				
60	XC5804051	X CABLE FIXING SHEET A				
61	XC5805051	X CABLE FIXING SHEET B				
62	XC7564051	SCREW, PAN (S/P WASHER) M3X6				
63	XC5806051	X CABLE FIXING SHEET C				
64	XF2149001	X CABLE FIXING SHEET E				

(8)-1_XYCARRIAGE MECHANISM

No.	CODE	NAME	MODEL	SPEC	REMARKS	R/H
69	XC5817051	SCREW, KNOB M4S				
70	X59629051	TAPTITE, BIND B M3X10				
73	XE2319001	CYLINDER CONNECTION L				
74	XE2320001	CYLINDER CONNECTION R				
75	061300616	SCREW, FLAT M3X6				
86	XF6056001	X AREA PCB ASSY				
88	XF6057101	HOOP PCB ASSY			2000017910	
91	XC6177051	ASSY: HOOP SENSOR				
95	XF6094001	FLEXIBLE FLAT CABLE:SML2CD-XH				
96	XC6219151	X FRAME SPACER				
97	XE2281001	INSULATION SHEET				
100	018300532	BOLT, SOCKET M3X5				
139	XC7644051	SCREW, PAN (S/P WASHER) M3X5				