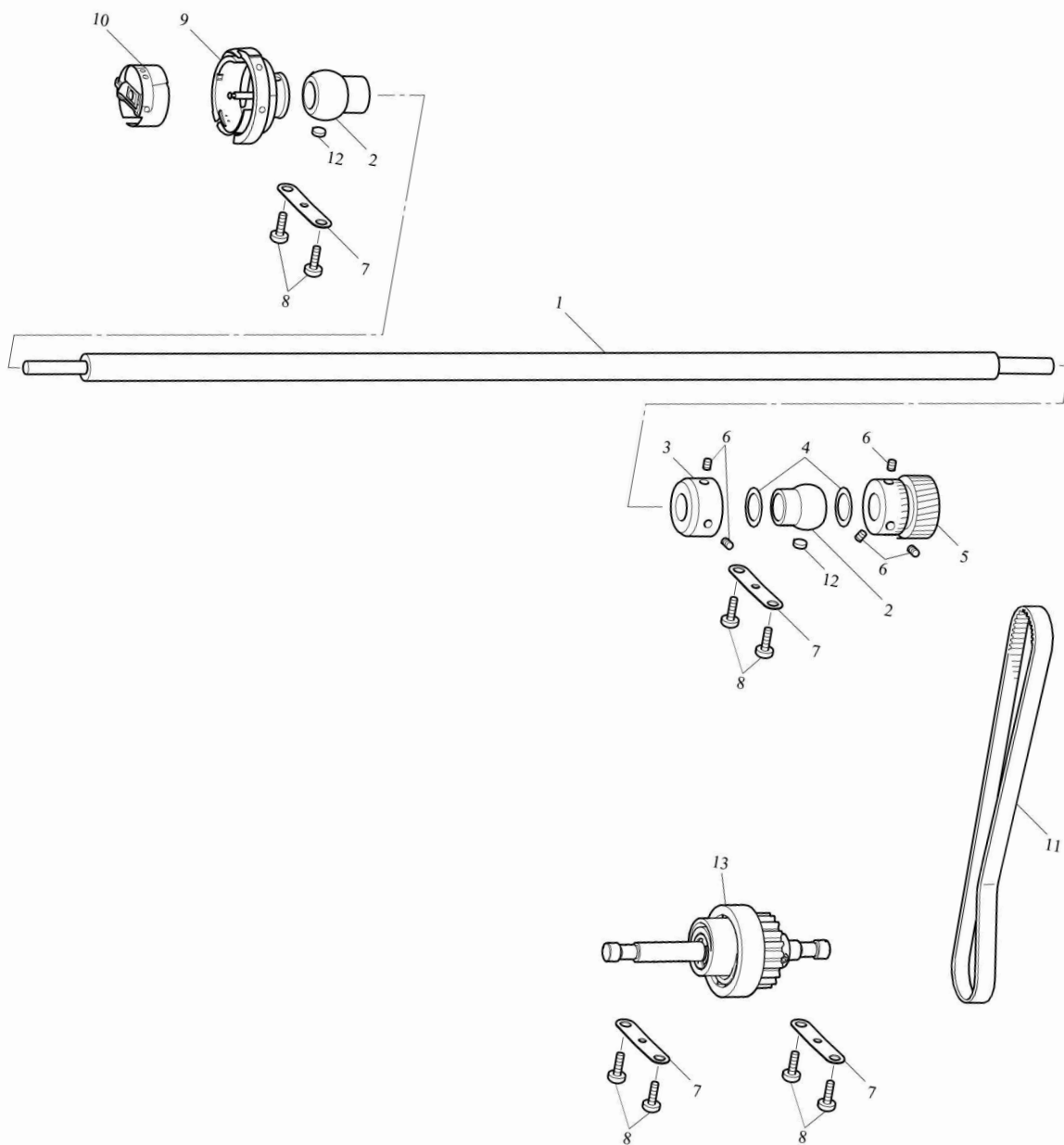


(9)_LOWER SHAFT MECHANISM



(9)_LOWER SHAFT MECHANISM

No.	CODE	NAME	MODEL	SPEC	REMARKS	R/H
1	XG5327001	LOWER SHAFT				
2	XC5845051	LOWER SHAFT METAL, R				
3	XA0840051	COLLAR				
4	XA0835050	WASHER. THURST 7.24				
5	XA0841051	LOWER SHAFT GEAR				
6	014060632	SET SCREW, SOCKET (CP) M6X6				
7	X57943051	BUSHING PRESSER				
8	X57908052	TAPTITE, BIND S M4X10				
9	XC6924001	ROTARY HOOK, DB1-ATR (1QB)				H
10	XC7206001	BOBBIN CASE ASSY				H
11	XC5846051	T BELT-S5M-525				
12	XC3183051	FELT				
13	XE7034301	IDLE PULLEY ASSY				H