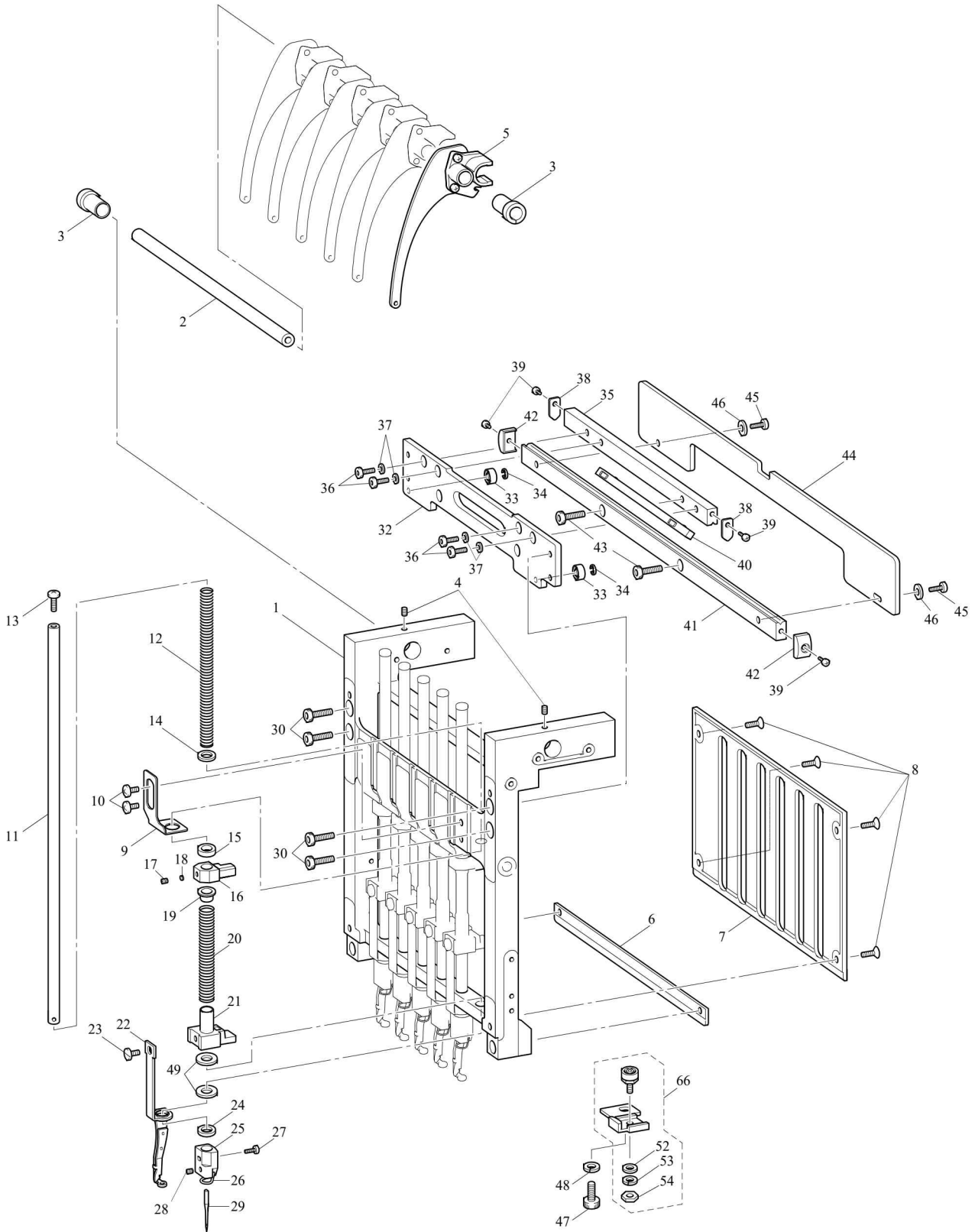


(3)-1_NEEDLE BAR MECHANISM



(3)-1_NEEDLE BAR MECHANISM

| No. | CODE | NAME | MODEL | SPEC | REMARKS | R/H |
|-----|-----------|-------------------------------|-------|------|---------|-----|
| 1 | XC4954251 | NEEDLE BAR CASE ASSY | | | | |
| 2 | XC5671051 | THREAD TAKE-UP SHAFT | | | | |
| 3 | XC5672051 | THREAD TAKE-UP BUSH | | | | |
| 4 | 012400432 | SET SCREW, SOCKET (FT) M4X4 | | | | |
| 5 | XC5673051 | THREAD TAKE-UP LEVER ASSY | | | | |
| 6 | XC5676051 | CASE GUIDE, D | | | | |
| 7 | XC5677051 | GUIDE RAIL, NEEDLE BAR | | | | |
| 8 | 004401003 | SCREW, FLAT M4X10 | | | | |
| 9 | XC5678151 | TOP DEAD CENTER PLATE | | | | |
| 10 | 060400616 | SCREW, BIND M4X6 | | | | |
| 11 | XC5679051 | NEEDLE BAR | | | | |
| 12 | XC5680051 | SPRING, NEEDLE BAR | | | | |
| 13 | 062500816 | SCREW, PAN M5X8 | | | | |
| 14 | 118735002 | WASHER | | | | |
| 15 | S36153100 | RUBBER, CUSHION | | | | H |
| 16 | XE1172001 | NEEDLE BAR CLAMP | | | | |
| 17 | 014680432 | SET SCREW, SOCKET SM4.37-40X4 | | | | |
| 18 | 100507050 | WASHER | | | | |
| 19 | XC5682051 | PRESSER FOOT SPRING COLLAR | | | | |
| 20 | XC5683051 | PRESSER FOOT SPRING | | | | |
| 21 | XC5684051 | PRESSER FOOT CLAMP | | | | |
| 22 | XC5685151 | PRESSER FOOT ASSY | | | | |
| 23 | XC5688051 | SCREW, P/F | | | | |
| 24 | XC5689051 | PRESSER FOOT CUSHION | | | | H |
| 25 | XC5690051 | THREAD GUIDE, NEEDLE BAR | | | | |
| 26 | XC7020051 | THREAD GUIDE | | | | |
| 27 | XC7021052 | SCREW SM 2.38 | | | | |
| 28 | 016300436 | SET SCREW, SOCKET (CN) M3X4 | | | | |
| 29 | XC5691011 | NEEDLE HAX130 EBBR | | | | |
| 30 | 018401632 | BOLT, SOCKET M4X16 | | | | |
| 32 | XC5693051 | CASE BRACKET ASSY | | | | |
| 33 | 070694809 | BALL BEARING RADIAL 694ZZ | | | | |
| 34 | 048030343 | RETAINING RING, E3 | | | | |
| 35 | XC5696051 | CASE GUIDE, US | | | | |
| 36 | 018400832 | BOLT, SOCKET M4X8 | | | | |
| 37 | XC7406051 | WASHER | | | | |
| 38 | XC5697051 | SLIDE ROLLER STOPPER | | | | |
| 39 | 062300416 | SCREW, PAN M3X4 | | | | |
| 40 | XC5698051 | SLIDE ROLLER | | | | |
| 41 | XC5699051 | CASE GUIDE, UL | | | | |
| 42 | XC5700051 | CASE GUIDE COVER, UL | | | | |
| 43 | 018401232 | BOLT, SOCKET M4X12 | | | | |
| 44 | XC5701051 | THREAD TAKE-UP GUIDE | | | | |
| 45 | 062400816 | SCREW, PAN M4X8 | | | | |